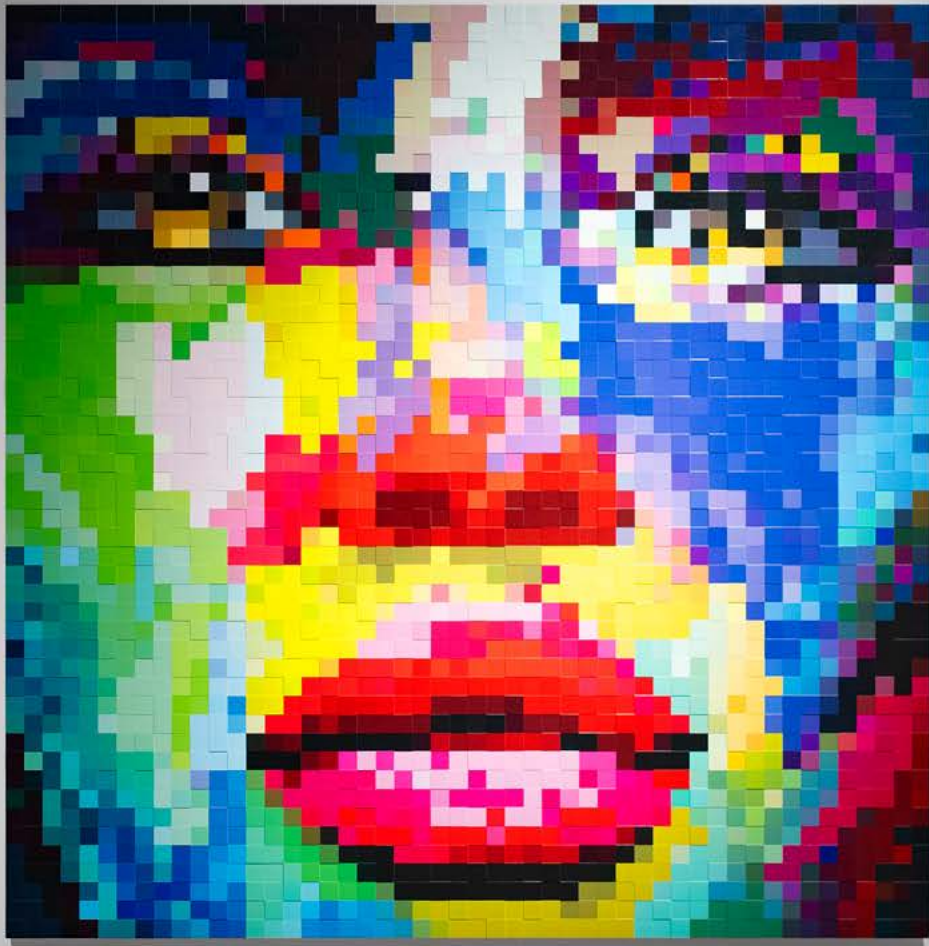




AGILIO

LIGHT IN MOTION



FOR LIGHT IN MOTION

Fluid movements. Maximum light quality.

For one-of-a-kind exhibition spaces. The AGILIO LED spotlight combines the best of two worlds: Motorised movement meets architectural lighting. High ceilings meet optimised remote controls.

Perfect room design meets an intuitive app. Whether used for art, cultural or commercial applications, AGILIO makes changing exhibition designs a breeze and creates brilliant dramaturgy – tailored perfectly to users' needs.

HIGH. HIGHER. AGILIO.

These motorised LED luminaires step in where ladders and lifting platforms are no longer an option. Whether that is in retail exhibition spaces, in prestigious office foyers, in historic sacred buildings, on a stage or in art and cultural spaces with particularly high ceilings and changing installations.

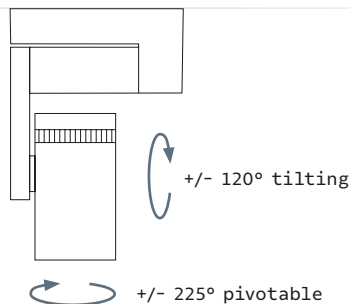
SUSTAINABLE AND COST-EFFICIENT

The combination of motorised spotlights and app-based control makes imposing spaces extremely flexible and therefore sustainable. Even temporary exhibitions can be given the perfect lighting without excessive effort or complicated tools.

DESIGNED TO MEET CUSTOMER DEMAND

Developed in a customer project, not on a drawing board. Successfully created to meet the challenging lighting needs of the Porsche Museum in Stuttgart. Developed in cooperation with German Light Products GmbH (GLP), a specialist in innovative spotlights for the show and event industry.

AGILIO MOTORISED MOVEMENT



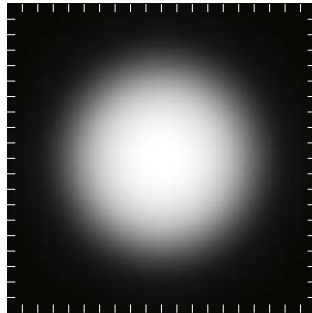


It's all just a question of settings

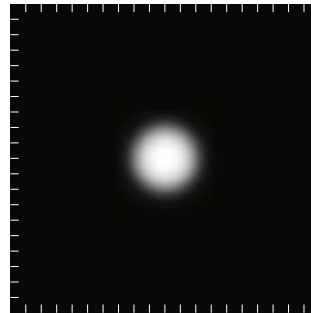
No need for expensive lifting platforms. Extensive scaffolding. Or wobbly ladders. All you need to get your AGILIO spotlight into the perfect position is a tablet – and the dedicated app. Pan the spotlight horizontally or tilt it vertically. Zoom or dim.

The controls for the LED spotlight are right at your fingertips and take effect in real time.

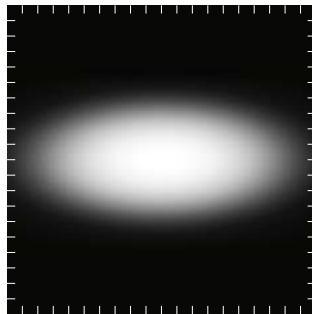
Wideflood 35°



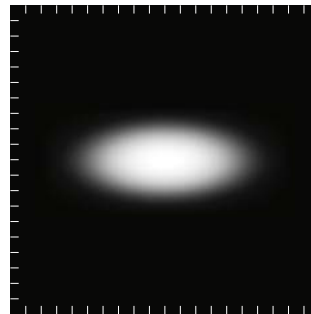
Spot 15°



Wideflood
with oval outline lens



Spot
with oval outline lens



AGILIO 360
AGILIO comes with an app for intuitive operation. With no prior knowledge necessary. For wireless, real-time control at the tap of a finger.



Sophisticated motor and electronic technology concealed in a slimline luminaire. The cylindrical AGILIO spotlight packs complex technology into an attractive design.

AGILIO combines a highly precise optical lens system for accent lighting with a high luminous flux of up to 5000 lm.

The zoom lens on the AGILIO spotlight enables a variable lighting angle between "Spot" (15°) and "Wideflood" (35°).

PRODUCT FAMILY OVERVIEW

AGILIO



Dimensions	Ø 125 mm
Movement	pivotable: +/- 225° tilting: +/- 120° stepless, 16 bit motorised
Light distribution	Zoom optics: Spot 15°, Wideflood 35° stepless, 8 bit motorised
Luminaire efficiency	up to 5000 lm with CRI>97 dimmable 1-100%
Colour rendering	CRI>97, CRI R9>80 (red)
Accessories	oval beam lens
Controls	DMX Wireless (CRMX) + Wireless i.Q Mesh Bluetooth DMX Powerline DOP DMX + Wireless i.Q Mesh Bluetooth i.Q Mesh BT: App control via tablet (AGILIO 360 app available on the App Store)
Mounting type	3-phase track
Housing colour	black, white



zumtobel.com/agilio